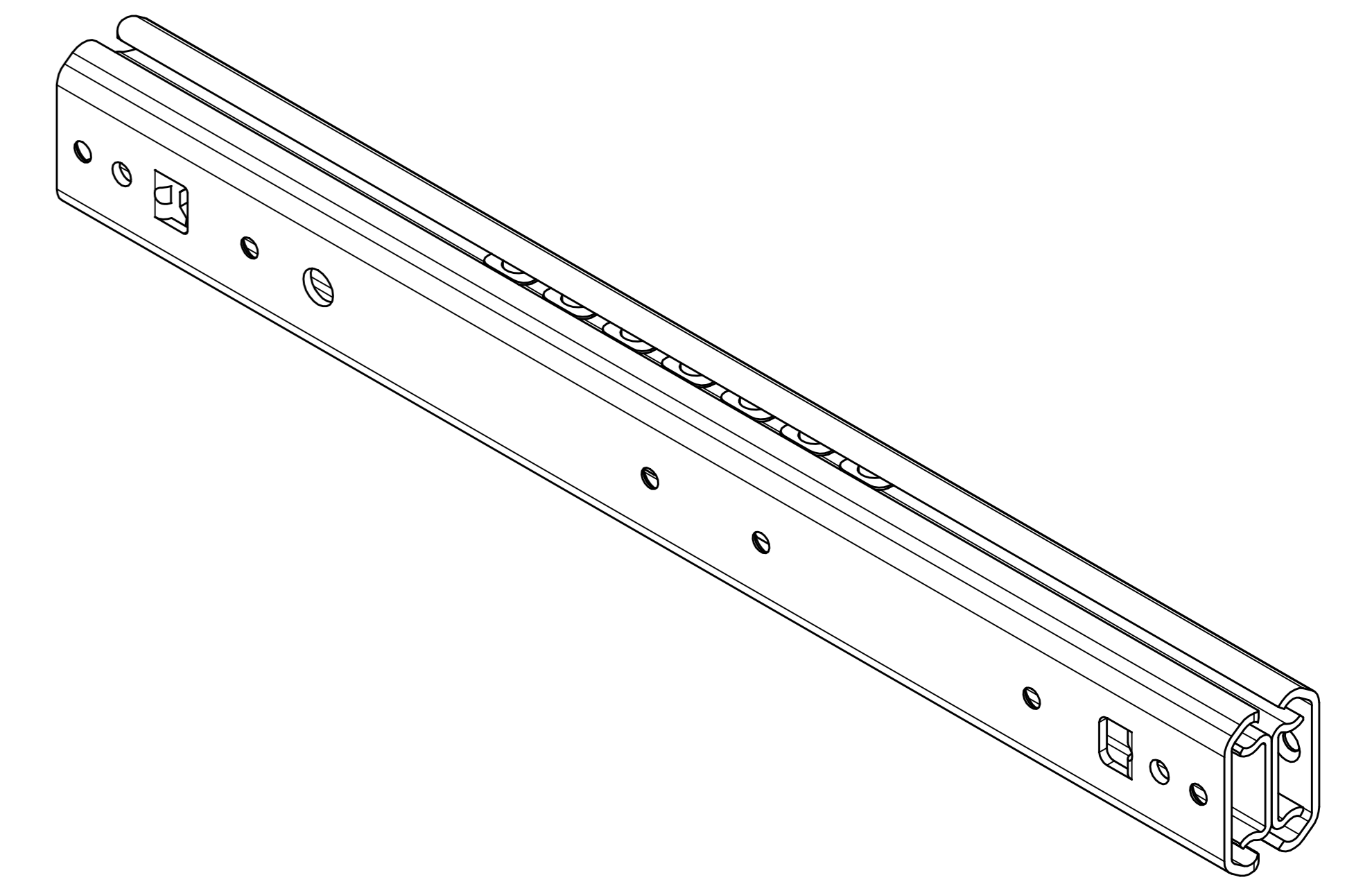
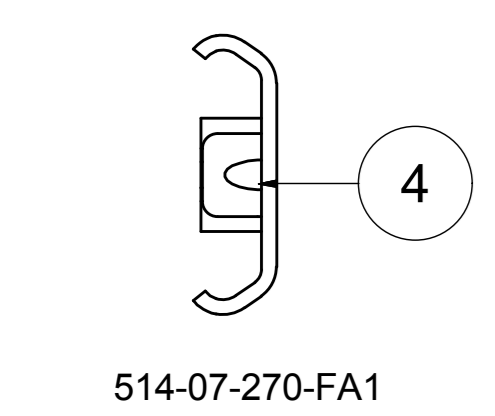
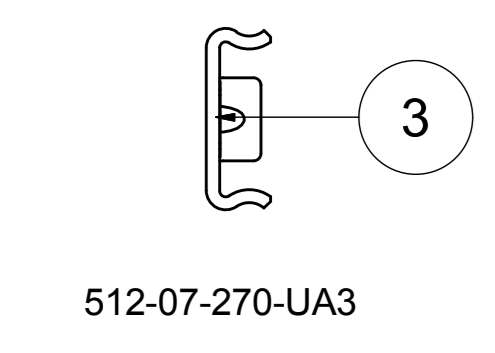
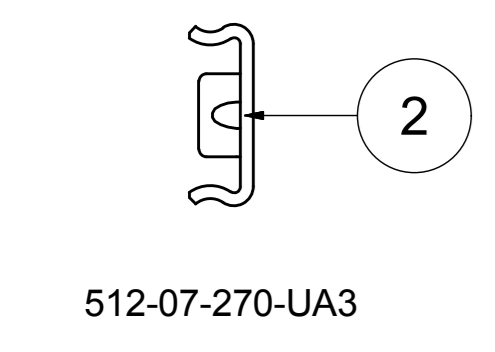
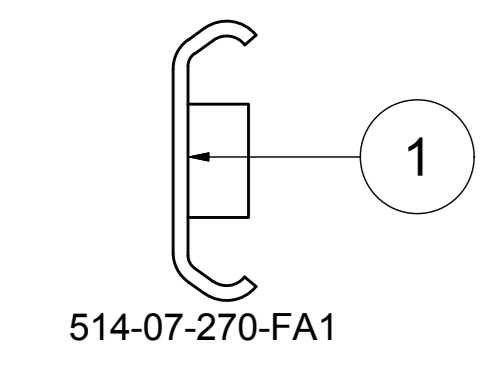
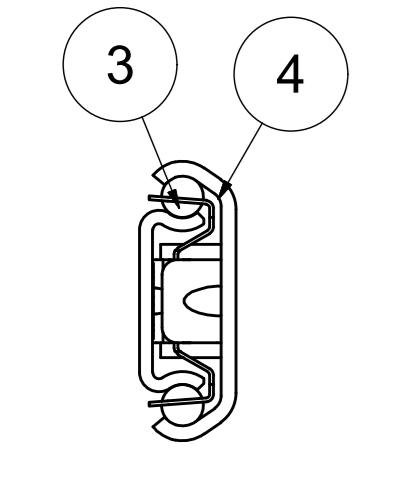
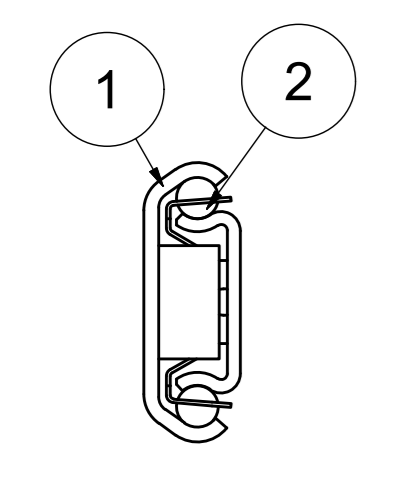
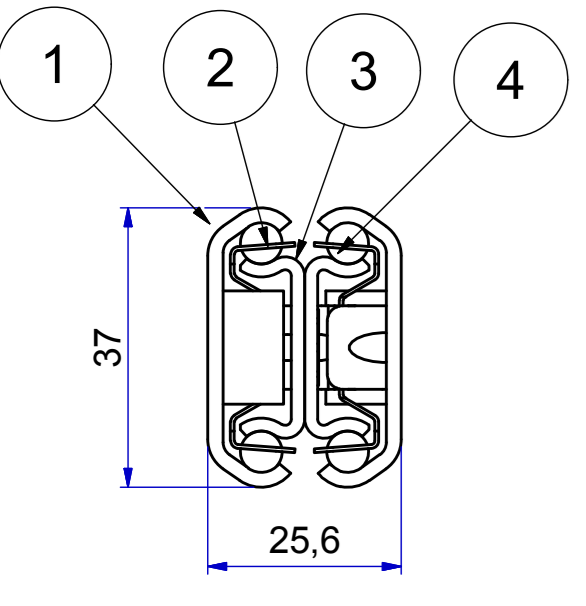
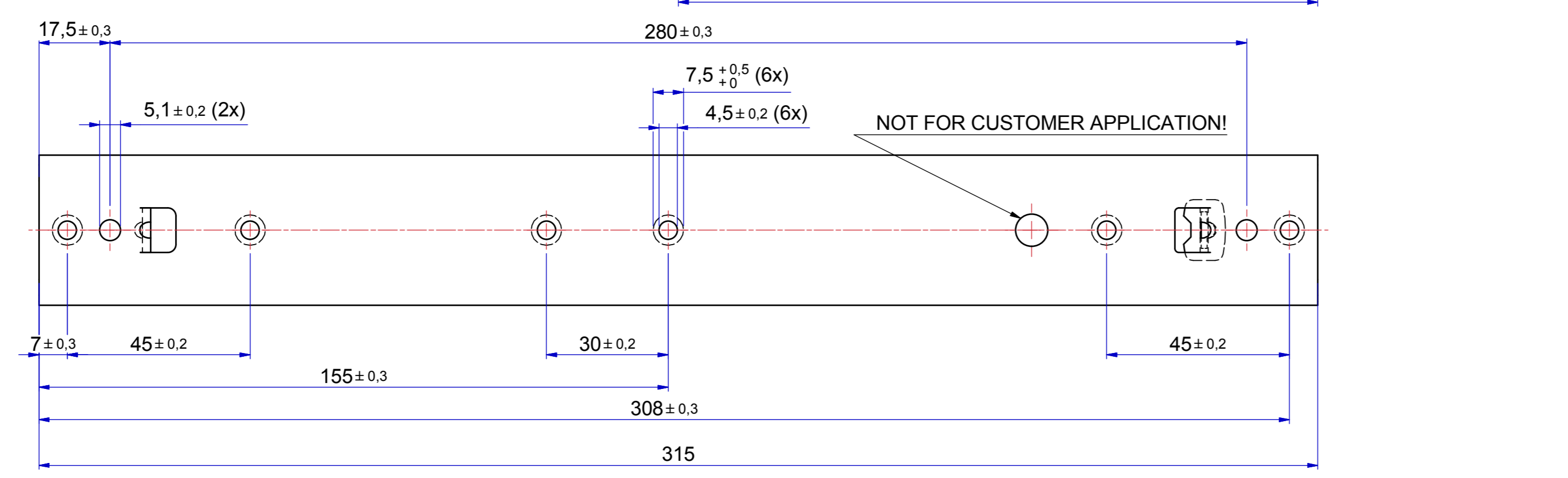
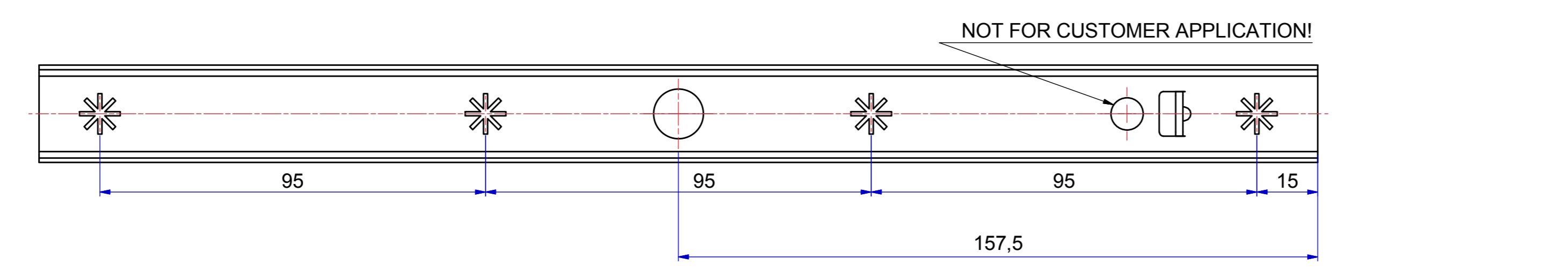
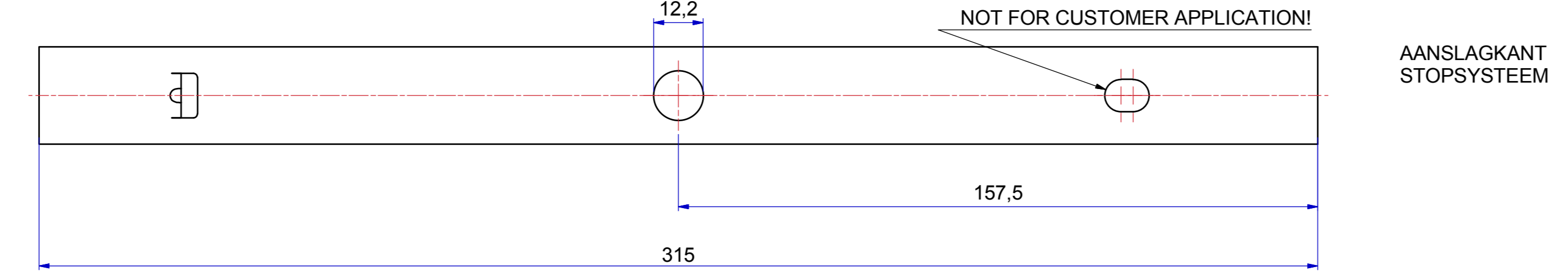
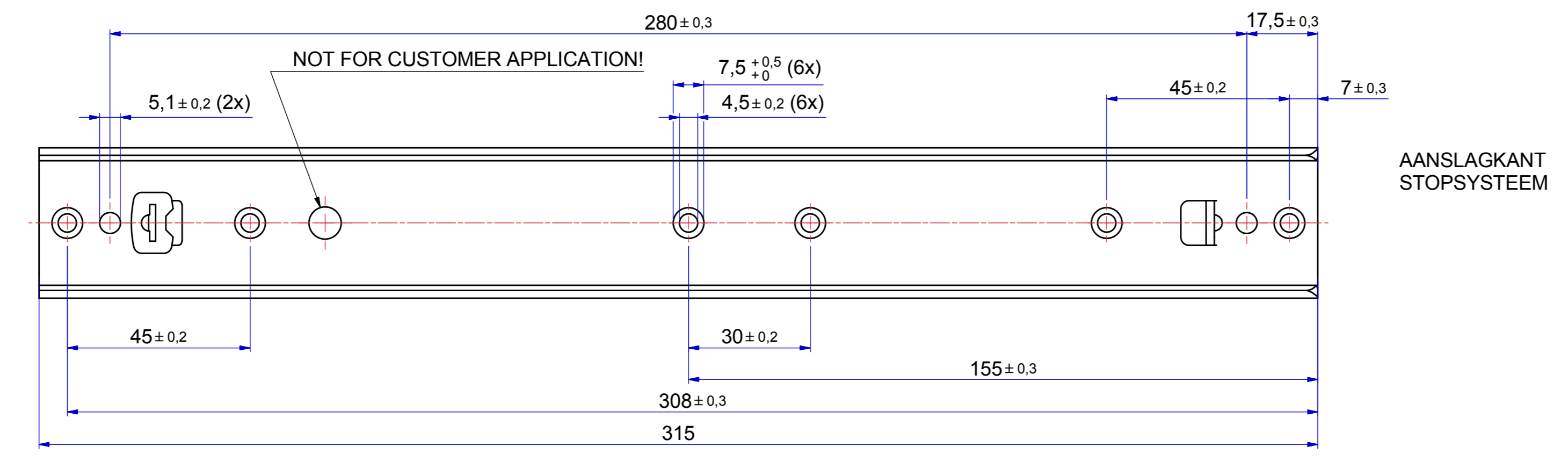
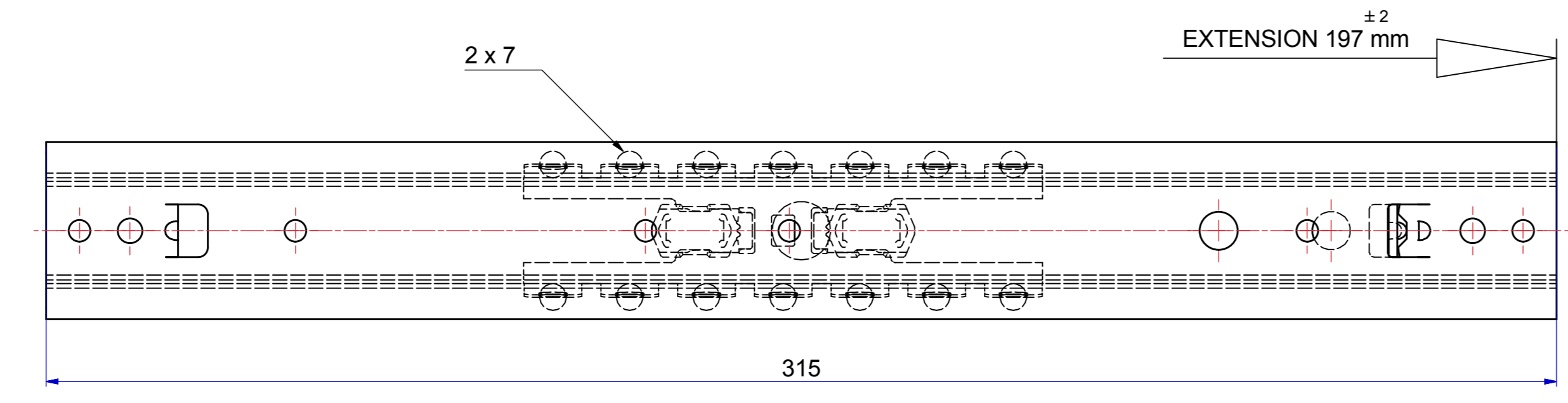
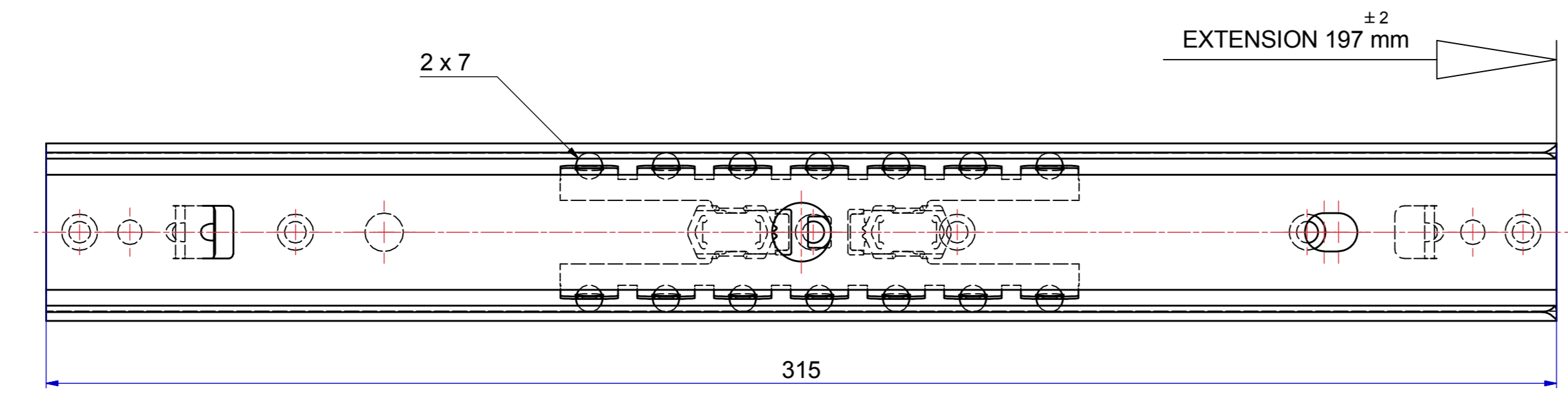
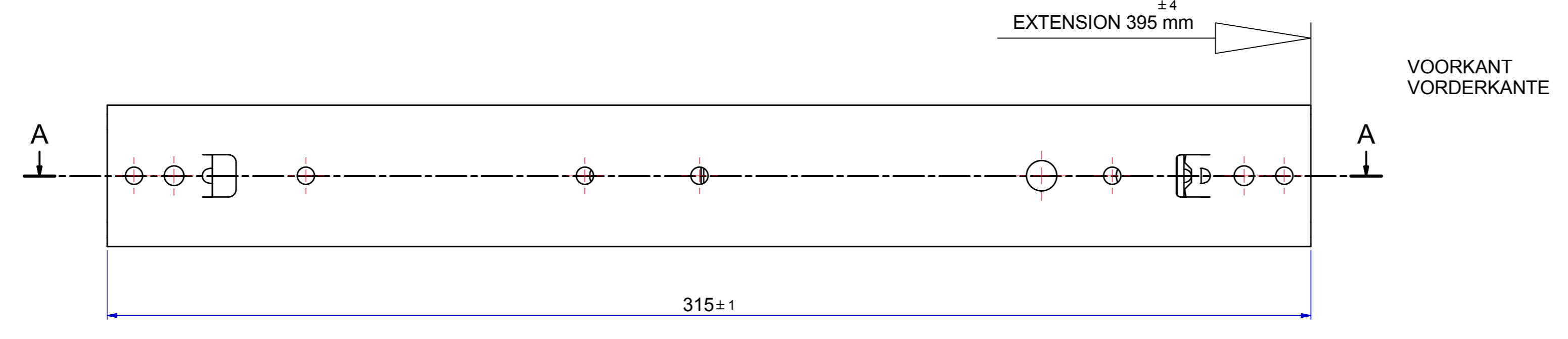
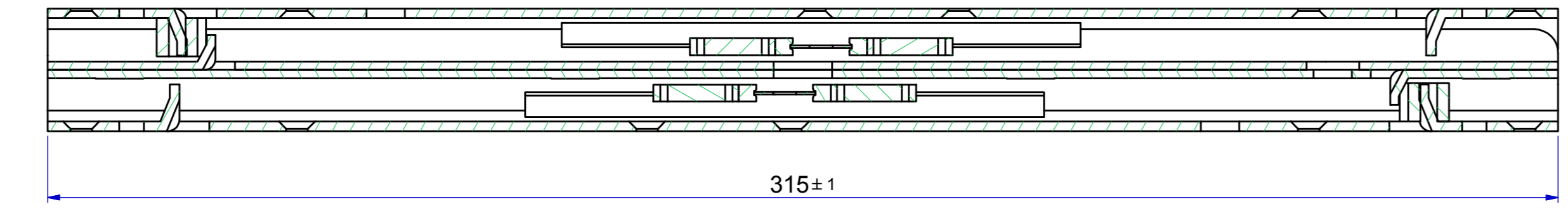


T 1 - 2 = 197,5 mm
T 3 - 4 = 197,5 mm



A-A (1:1)



Released for Production

Right hand slide = Left hand slide.
Dimensions between marks are guide dimensions.
Thomas Regout Int. B.V. reserves the right to alter non-customer specific specifications without notice.

GETEKEND IN INVENTOR		W. Jans	
Rev. 1	25-11-99	LOOPWERK GECOMBINEERD MET ART. 117058, DIVERSE GATEN TOEGEVOEGD.	G.S.
Designer	A. v/d N.	Get. Tol. Dim. ± 0.5	Third angle projection
Date	24-8-1999	Get. Tol. Angle ± 0.5	Treatment
Approver		Gen. Roughness Ra	Draw type: Fabrication
Date		Units mm/deg.	Scale 1 : 1
Description		Doc. No. E000032132	Model No. E000032132
DUBBELE FINN 315.0 / 395.0 (25,6mm)		Item No. 117-270	Released for Production
Format: A0	THOMAS REGOUT INTERNATIONAL B.V.	Revision	01
© THOMAS REGOUT INTERNATIONAL B.V., Industrieweg 40, 6219 NR, Maastricht, The Netherlands, +31 (0)43 251 66 66 All rights are reserved.			