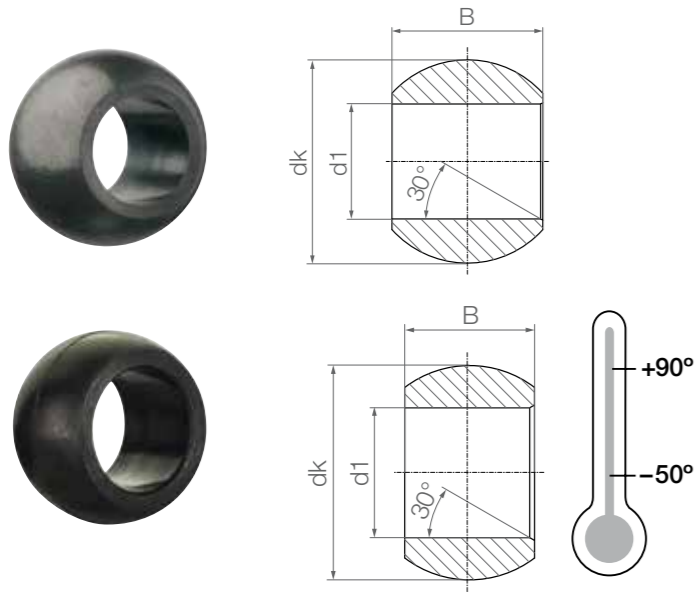


Detectable spherical balls:
RN248KM and RN248EM



Order key

Type	Size [mm]	Options
RN248	M-06-09	
iglidur® RN248 spherical balls	Dimensional series	Series
	Metric	K = Dimensional K series
	Inner Ø d1	E = Dimensional E series
	Width	

Dimensions [mm]

Part No.	d1 E10	dK	B	Weight [g]
RN248KM-06-09	6	12.80	9	1

Dimensions [mm]

Part No.	d1 E10	dK	B	Weight [g]
RN248EM-05-06	5	10.30	6	0.4
RN248EM-06-06	6	10.20	6	0.4
RN248EM-08-08	8	13.20	8	0.8
RN248EM-10-09	10	16.10	9	1.3

Slim spherical balls made of iglidur® materials for various metallic bearing housings



- 3 different spherical ball materials available: iglidur® J, A180 and A350
- Eight dimensions for housing numbers range includes UC203 to UC210
- Maintenance-free, dry operation
- Durable
- Corrosion-free
- Resistant to dirt

Dimensions [mm]

Part No.	Housing No.	d1 E10	dk	B	Max. static compressive force	
					radial [N]	axial [N]
made of iglidur® J, low coefficient of friction (material information ► From page 159)						
JEM-17-17	UC203	17	47	17	10,000	7,500
JEM-20-17	UC204	20	47	17	11,500	7,500
JEM-25-17	UC205	25	52	17	14,500	7,500
JEM-30-19	UC206	30	62	19	19,500	9,500
JEM-35-20	UC207	35	72	20	24,000	10,500
JEM-40-21	UC208	40	80	21	29,000	12,000
JEM-45-22	UC209	45	85	22	34,000	13,000
JEM-50-24	UC210	50	90	24	41,500	15,500
made of iglidur® A180, FDA-compliant all-rounder (material information ► From page 361)						
A180EM-17-17	UC203	17	47	17	7,500	6,000
A180EM-20-17	UC204	20	47	17	9,000	6,000
A180EM-25-17	UC205	25	52	17	11,500	6,000
A180EM-30-19	UC206	30	62	19	15,500	7,500
A180EM-35-20	UC207	35	72	20	19,000	8,500
A180EM-40-21	UC208	40	80	21	23,000	9,000
A180EM-45-22	UC209	45	85	22	27,000	10,000
A180EM-50-24	UC210	50	90	24	33,000	12,000
made of iglidur® A350, for high temperatures and chemicals (material information ► From page 369)						
A350EM-17-17	UC203	17	47	17	17,000	13,000
A350EM-20-17	UC204	20	47	17	20,000	13,000
A350EM-25-17	UC205	25	52	17	25,000	13,000
A350EM-30-19	UC206	30	62	19	34,000	17,000
A350EM-35-20	UC207	35	72	20	41,500	18,500
A350EM-40-21	UC208	40	80	21	50,000	20,000