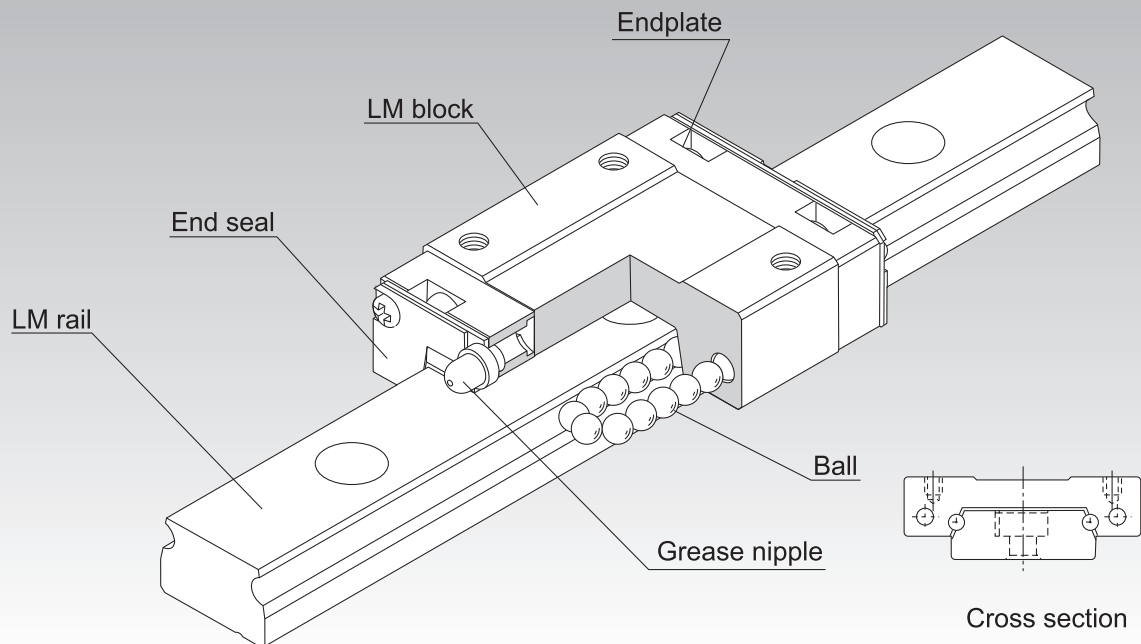


RSR

LM Guide Miniature Types Model RSR



Point of Selection	A1-10
Point of Design	A1-460
Options	A1-485
Model No.	A1-551
Precautions on Use	A1-557
Accessories for Lubrication	A24-1
Mounting Procedure and Maintenance	B1-89
Equivalent Moment Factor	A1-43
Rated Loads in All Directions	A1-60
Equivalent Factor in Each Direction	A1-62
Radial Clearance	A1-73
Accuracy Standards	A1-84
Shoulder Height of the Mounting Base and the Corner Radius	A1-475
Reference Error Tolerance for the Mounting Surface	A1-477
Flatness of the Mounting Surface	A1-478
Dimensions of Each Model with Options Attached	A1-499

Structure and Features

With models RSR and RSR-W, balls roll in two rows of raceways precision-ground on an LM rail and an LM block, and endplates incorporated in the LM block allow the balls to circulate.

Since balls circulate in a compact structure, the LM Block is able to provide infinite straight motion and thus infinite stroke.

The LM block is designed to have a shape with high rigidity in a limited space, and in combination with large-diameter balls, demonstrates high rigidity in all directions.

[Ultra-Compact]

The absence of cage displacement, a problem that cross-roller guides and types of ball slides with finite stroke tend to cause, make these models highly reliable LM systems.

[Capable of Receiving a Load in Any Direction]

These models are capable of receiving loads in all directions, and a single-rail guide can adequately operate under a small moment load. Model RSR-W, in particular, has a greater number of effective balls and a broader LM rail to increase its rigidity against a moment. Thus, it achieves a more compact structure and more durable straight motion than a pair of linear bushes in parallel use.

[Stainless Steel Type also Available]

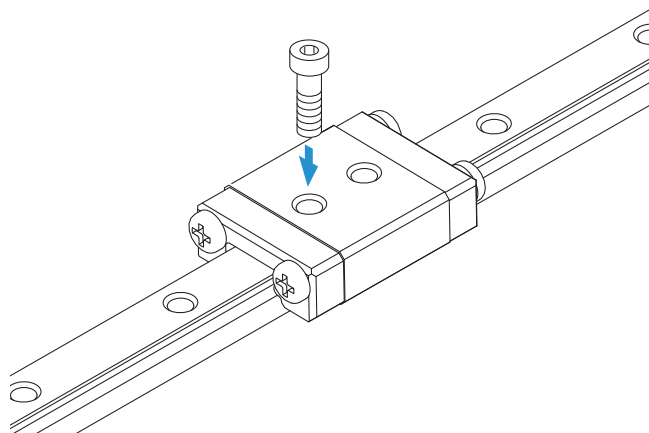
A special type where LM block, LM rail and balls are made of stainless steel is also available.

Types and Features

Model RSR-M

Specification Table⇒ **A1-272**

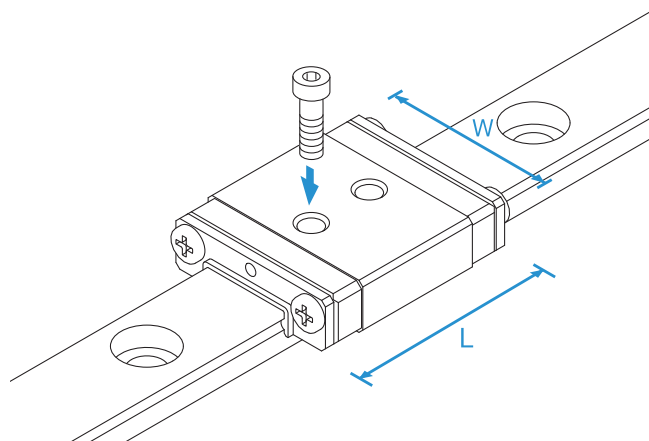
This model is a standard type.



Model RSR-WM

Specification Table⇒ **A1-272**

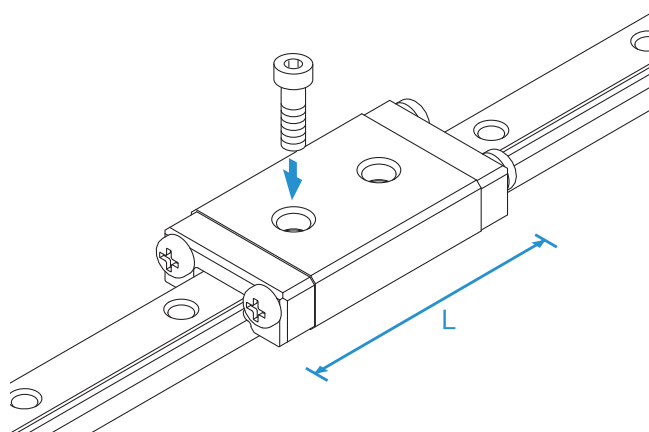
This model has a broader width (W), greater overall length (L), and greater rated load and permissible moment than the Model RSR-M.



Model RSR-N

Specification Table⇒ **A1-272**

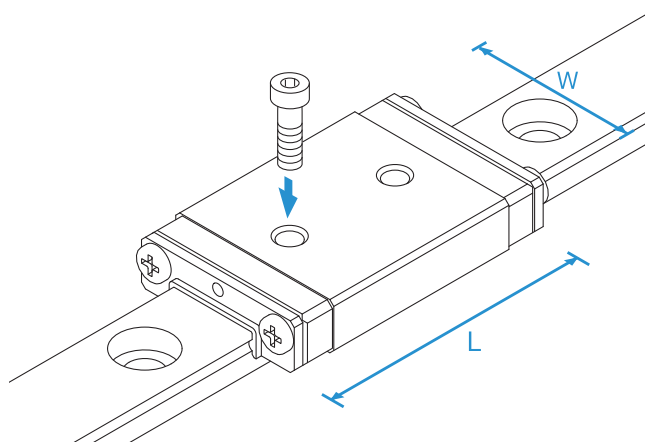
This model has a longer overall LM block length (L) and a greater rated load.



Model RSR-WN

This model has a broader width (W), greater overall length (L), and greater rated load and permissible moment than the Model RSR-N.

Specification Table⇒ **A1-272**

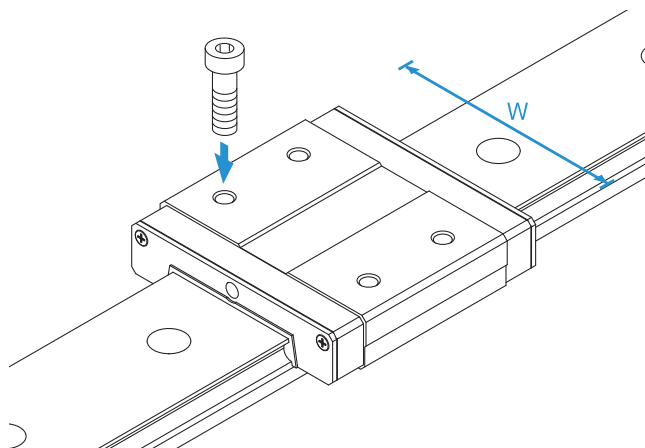


LM Guide

Model RSR14WVM

This model has a greater overall LM block width (W) and a greater permissible moment.

Specification Table⇒ **A1-272**



Accuracy of the Mounting Surface

Model RSR uses Gothic arch grooves in the ball raceways. When two rails of RSR are used in parallel, any error in accuracy of the mounting surface may increase rolling resistance and negatively affect the smooth motion of the guide. For specific accuracy of the mounting surface, see [Flatness of the Mounting Surface] on **A1-478**.

