

## Fixed flange bearings with 4 mounting holes and split housing: KFSM GT

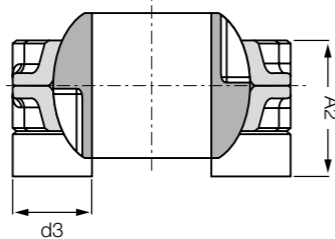
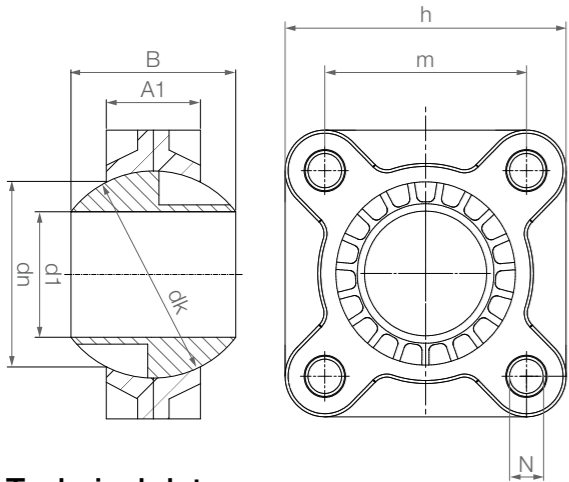


- Pre-assembled
- Option with push-in feet
- Resistant to dirt
- Lightweight
- Low installation space
- For high static loads
- High stiffness and durability
- Predictable service life
- Maintenance-free dry operation
- Mounting: with push-in feet M10, without push-in feet M12

### Order key

Type	Size [mm]	Options
<b>K F S M-GT</b>	<b>35</b>	<b>- A</b>
<b>K series</b>	<b>Fixed flange bearing</b>	<b>4 holes</b>
	<b>Metric</b>	<b>Split housing</b>
	<b>Inner Ø</b>	<b>With push-in feet</b>

**Material:**  
Housing: RN33 ▶ Page 1657  
Spherical ball: iglidur® J ▶ Page 159



Example: KFSM-GT-40-A

### Technical data

Part No.	Max. static radial load		Max. static axial load		Weight [g]
	Short-term [N]	Long-term [N]	Short-term [N]	Long-term [N]	
KFSM-GT35-A <sup>23)</sup>	5,000	2,500	4,500	2,250	183.5
KFSM-GT40-A	5,000	2,500	4,500	2,250	161.6
KFSM-GT45-A <sup>23)</sup>	6,000	3,000	5,000	2,500	294.6
KFSM-GT50-A	6,000	3,000	5,000	2,500	260.1

Max. tightening torque for fixing: 30Nm

### Dimensions [mm]

Part No.	d1 E10	dn	d3	dk	A1	A2	B	m	h	N	Max. pivot angle
KFSM-GT35-A <sup>23)</sup>	35.0	59.0	26.0	66.0	30.0	45.0	48.5	66.0	92.0	13.5	24°
KFSM-GT40-A	40.0	59.0	26.0	66.0	30.0	45.0	48.5	66.0	92.0	13.5	24°
KFSM-GT45-A <sup>23)</sup>	45.0	72.0	26.0	82.0	40.0	60.0	60.0	78.0	104.0	13.5	24°
KFSM-GT50-A	50.0	72.0	26.0	82.0	40.0	60.0	60.0	78.0	104.0	13.5	24°

For KFSM with distance pieces, please add an "A" to the Part No. Example: KFSM-GT-50-A

<sup>23)</sup> Diameter given by iglidur® J bore reducer

## High-temperature fixed flange bearings with 4 mounting holes: EFSM-HT

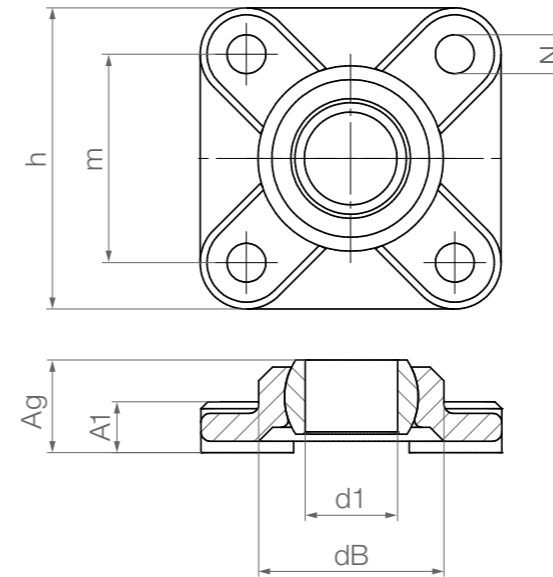


### Order key

Type	Size [mm]	Version
<b>E F S M-</b>	<b>05</b>	<b>- HT</b>
<b>E series</b>	<b>Fixed flange bearing</b>	<b>4 holes</b>
	<b>Metric</b>	<b>Inner Ø</b>
		<b>High temperature</b>

**Material:**  
Housing: iguton G ▶ Page 1655  
Spherical ball: iglidur® X ▶ Page 279

- Applicable up to +200°C
- Easy to fit
- Compensation of misalignment errors
- Absolute corrosion resistance
- Lightweight
- Chemical-resistant (chemical table ▶ Page 1636)
- For underwater applications



### Technical data

Part No.	Max. permissible axial load		Max. permissible radial load		Max. tightening torque Holes [Nm]	Weight [g]
	Short-term [N]	Long-term [N]	Short-term [N]	Long-term [N]		
EFSM-05-HT	275	138	440	220	0.6	3.5
EFSM-06-HT	339	170	523	262	0.6	3.3
EFSM-08-HT	412	206	713	356	1.3	7.1
EFSM-10-HT	864	432	1,202	601	2.5	11.2
EFSM-12-HT	1,024	512	1,347	674	2.5	13.3

### Dimensions [mm]

Part No.	d1 E10	dB	h Width	m Hole pitch ±0.1	A1 Height of plate	Ag Total height	N Hole d	Max. pivot angle
EFSM-05-HT	5	14	25	17	4.5	8.5	3.2	29°
EFSM-06-HT	6	14	25	17	4.5	8.5	3.2	25°
EFSM-08-HT	8	18	33	22	5.5	10.5	4.3	25°
EFSM-10-HT	10	22	38	26	6.5	12.0	5.3	25°
EFSM-12-HT	12	25	40	28	7.0	13.0	5.3	21°

Other dimensions available upon request