

## BBS/FKA

### BALL VALVE WITH FLANGES, ANSI-VERSION

**DN 15-50 (1/2 - 2 INCH)  
ANSI CLASS 600**

**FULL BORE**

### MATERIALS

MATERIALS	ANSI-Class	DN Inch	Type 1	Type 2
Body	600	1/2-2	Steel	Steel
Ball	600	1/2-2	Steel, hard chromed	Steel, hard chromed
Sealings	600	1/2-2	Polyamid	PTFE

Please state Order-No. and Type:  
**FKA V XXX.XXX / Type (1 o. 2)**

### INFORMATION

#### Ball Valve with flanges

/// Length face-to-face ANSI B 16.10

/// Flange dimensions ANSI B 16.5

/// TÜV-type approval

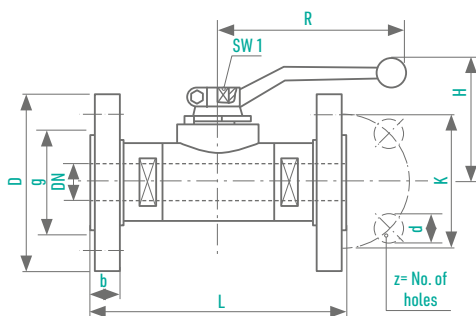
/// The lever is included

### OPTIONS

/// DIN-DVGW-Approval for Gas

/// Other shapes of flange sealing surfaces on request

/// Special designs on request



	DN		L	D	g	K	b	z	d	H [mm]	R [mm]	SW1 [mm]	Weight [kg]	Order Number
	mm	inch												
<b>Class 600</b> <b>Raised face</b>	15	1/2	165	95,2	34,9	66,7	20,6	4	15,9	101	160	10	3,0	FKA V 600.015
			6 1/2	3 3/4	1 3/8	2 5/8	13/16		5/8					
	20	3/4	190	117,5	42,9	82,5	22,2	4	19	103	160	10	4,5	FKA V 600.020
			7 1/2	4 5/8	1 11/16	3 1/4	7/8		3/4					
	25	1	216	123,8	50,8	88,9	23,8	4	19	105	180	12	6,0	FKA V 600.025
			8 1/2	4 7/8	2	3 1/2	15/16		3/4					
	32	1 1/4	229	133,3	63,5	98,4	26,9	4	19	115	300	16	10,0	FKA V 600.032
			9	5 1/4	2 1/2	3 7/8	1 1/16		3/4					
	40	1 1/2	241	155,6	73	114,3	28,5	4	22,2	120	300	16	12,5	FKA V 600.040
			9 1/2	6 1/8	2 7/8	4 1/2	1 1/8		7/8					
50	2	292	165,1	92,1	127	31,7	8	19	130	300	16	17,0	FKA V 600.050	
		11 1/2	6 1/2	3 5/8	5	1 1/4		3/4						