

**APPLICATION:**

For safe use in hazardous areas of zones 1, 2, 21 and 22 (gas and dust).

This Lumistar version impresses with its small design and powerful light output.

- For illuminating the interior of vessels, tanks, agitators, silos and other generally closed containers and reactors and also in visual flow indicators in explosive environments.

Compatible with round sightglass fittings according to DIN 28120/28121 or similar as well as for screw-type sightglass fittings analogue DIN 11851 and flow sightglass fittings.

LED technology guarantees even lower energy consumption, longer operating life and flexible light colour.

**PROTECTION CLASS:**

IP 65 and IP 67 according to DIN EN 60529

**AMBIENT TEMPRETURE:**

From -20°C up to +50°C

**TECHNICAL DATA EX PROTECTION:**

Approval according to directive 2014/34/EU

This luminaire meets the essential safety and health requirements by complying with the regulations for

Gas	
EN IEC 60079-0:2018	General Requirements
EN 60079-1:2014	Flame-proof Enclosures „d“
Explosion group	IIC (includes IIA und IIB)
Temperature - class	T6 at 40°C / T4 at 50°C

Dust	
EN IEC 60079-0:2018	General Requirements
EN 60079-31:2014	Protection by Enclosures „t“
Explosion group	IIIC (includes IIIA und IIIB)
Temperature - class	T85°C at 40°C / T130°C at 50°C

EU-Type Examination Certificate:  
BVS 20 ATEX E 016

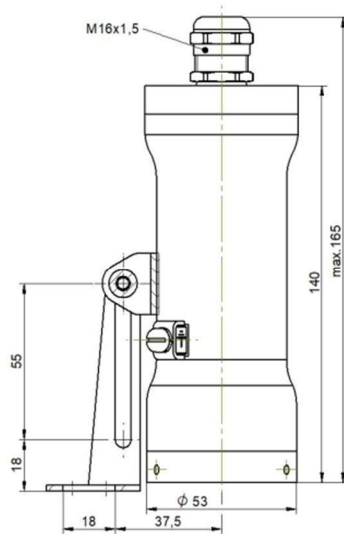


II 2G Ex db IIC T6 / T4 Gb  
II 2D Ex tb IIIC T85°C / 130°C Db

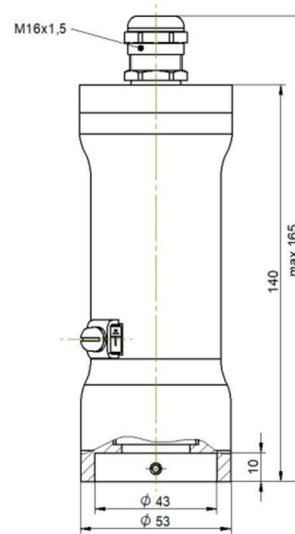
Ambient temperature range:  
-20°C ≤ T<sub>a</sub> ≤ +40°C / +50°C

Voltage	Nominal power	Luminous flux	Light colour *	Beam angle	Zusatz	Part no.
24 V AC/DC	7 W	400 – 500 lm	5700 K cold white	19°	hinged bracket	3542.151.00
24 V AC/DC	7 W	400 – 500 lm	5700 K cold white	19°	flanged adapter	3542.153.00

\* Other light colours on request



ESL 53LED Ex with hinged bracket



ESL 53LED Ex for flanged adapter

**FASTENING:**

In the assembly of a circular sight glass fitting and visual flow indicators, the luminaire is fixed to the coverflange with the hinged bracket. With a screw-type sightglass fitting the luminaire is fixed to the cover nut, or optionally via a flanged adapter or a hinged bracket.

**ELECTRICAL CONNECTION:**

Cable gland at the top of the luminaire cover cable length: min. 3m

**NOMINAL SIZES:**

For circular sight glasses according to DIN 28120, DIN 28121 and visulal flow indicators, mounting on the cover flange: from DN 50.

For screw-type sight glass fittings similar to DIN 11851, fixing on or under the cover nut:  
DN 50, 65, 80: via flanged adapter  
DN 80, 100, 125: via hinged bracket  
DN 80 via flanged adapter or hinged bracket

**WEIGHT:**

1,7 kg including hinged bracket and cable

Materials	
Luminaire body	Stainless steel
Glass	Borosilicate
Fastening parts	Stainless steel

Accessories	Part no.
<b>Luminaire mounting without field of view</b>	
Flanged adapter DN 50, (slotted nut opening: 62 mm)	1356.045.00
Flanged adapter DN 60, (slotted nut opening: 65 mm)	1356.036.00
Flanged adapter DN 80, (slotted nut opening: 80 mm)	1356.077.00
<b>Luminaire mounting with field of view for MV</b>	
for nom. diameter DN 80 (slotted nut opening: 94 mm)	0354.035.00
for nom. diameter DN 100 (slotted nut opening: 115 mm)	0354.036.00
for nom. diameter DN 125 (slotted nut opening: 138 mm)	0354.037.00

**ORDER DATA (E.G.):**

Part-no 3542.151.00 Lumistar luminaire ESL 53LED Ex