

## Lumistar Lumistrob LS 55-LED

A stroboscope is a flash device that emits flashes of light at very regular intervals. In a dark environment, movements appear choppy, like a sequence of still images.

### • Safety Instructions:

- The use of stroboscopes can trigger epileptic seizures in susceptible persons.
- Do not touch observed machines or objects.
- Do not look into the LED beam and never point it at people or animals.
- Never point the LED beam at mirrors or other reflecting surfaces. The uncontrolled deflected beam could hit people or animals.
- Use the product only as intended and within the parameters specified in the technical data.

### • Push button functions:

- Switching the lumistrobe on or off by pressing any button once
- Higher speed of light flashes by pressing and holding button 1
- Reduced speed of light flashes by pressing and holding button 2
- When the desired flash speed is reached, release the button. This setting is saved.

- **Protection class:** Dust-tight and protected against water jets, IP 65 to EN 60529/ DIN VDE 0470 Part 1

- **Operating voltage:** 24 V AC/DC; 120-230 V AC

- **Flash frequency:** 1-110 Hz

- **Pulse width:** 1 ms

- **Step width:** 250  $\mu$ s

- **External pulse input:** 12-24 V – max. 1 KHz

### • Mounting options:

- The Lumistar Lumistrob LS 55-LED is attached via the mounting bracket. When using metal fused sight glasses, it can also be fixed over the flange.
- An optimal application is in connection with metal fused sight glasses (METAGLAS®) as well as in the BioControl range (NEUMO). METAGLAS® works very successfully with clamp connections (METACLAMP®) but also in NA-Connect™-areas.

### • In the sterile area, the following mounting method has proven itself:

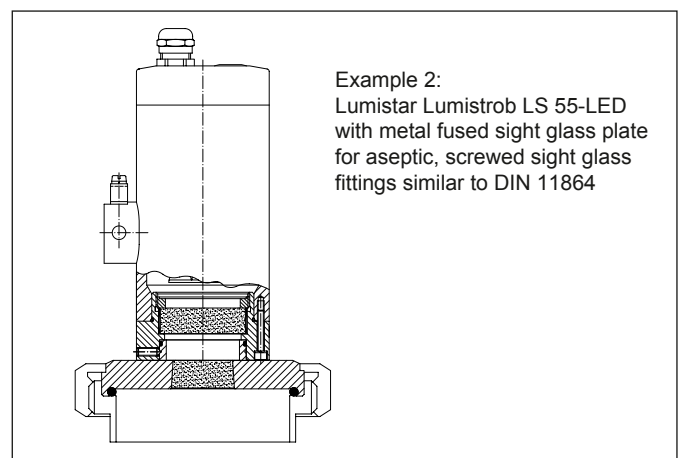
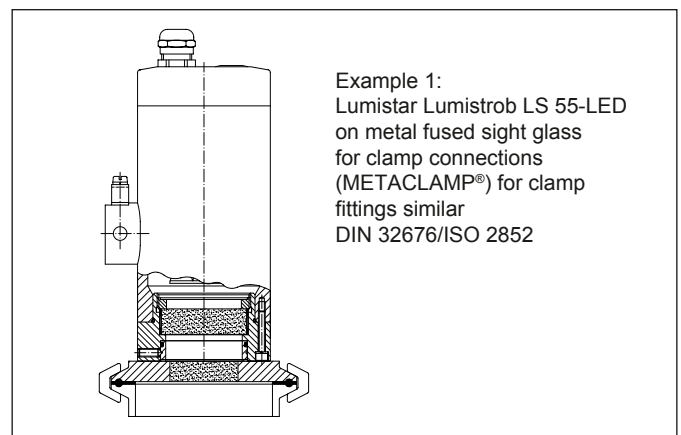
- The luminaire is put over a special beaded edge of the counter-flange and locked in place. Sealing towards the light glass is effected by an inserted O-ring.
- An alternative is also the fixing by means of a clamp connection on a clamping socket similar to DIN 32676/ISO 2852. The connecting piece to the clamp connection is a special ring construction with a fused-in sight glass (metal-glass fusion). See example 1.
- When used in screwed sight glasses, a metal-glass ring is equipped with an additional collar over which the Lumistar Lumistrob is slipped. See example 2.

CE

3755.555

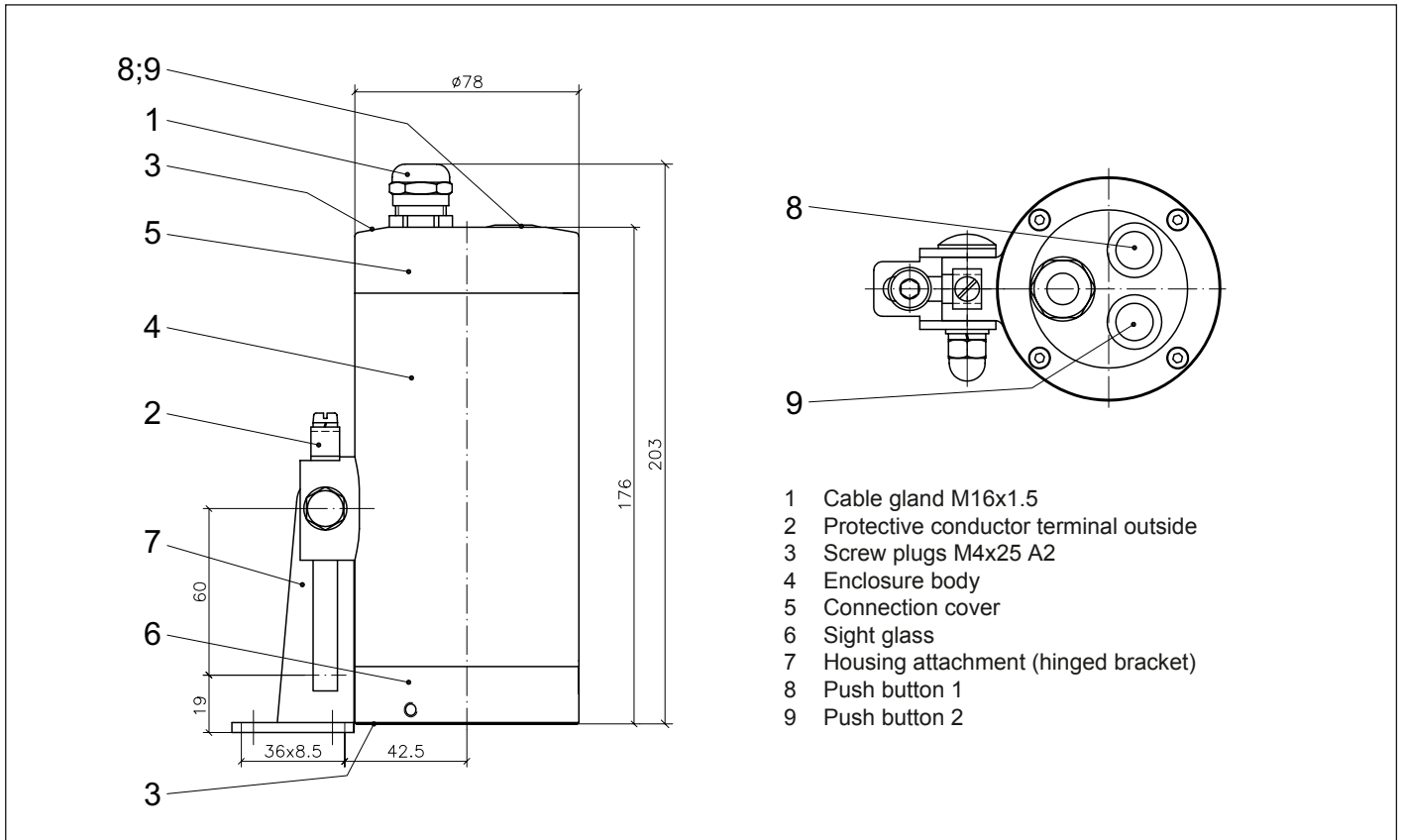


Lumistar Lumistrob LS 55-LED



Mounting options

• **Dimensions for Lumistar Lumistrob LS 55-LED:**



• **Parts, design and materials:**

- Lamp body (4) and lamp head/cover (5): stainless steel 1.4404/aluminium
- Cable gland M16x1.5 (1)
- Light transmission as a unit, made of ring (stainless steel/aluminium) and glass (6)
- Hinged bracket (7): stainless steel 1.4301 (to be ordered separately)

• **Weight:** stainless steel: 3.6 kg; aluminium: 1.5 kg

• **Accessories** (to be ordered separately)

- Fastening of hinged bracket, part no. 0354.025.00
- Fastening of plug-in flange for use with screwed sight glass fittings (on request)
- Beam angle: 11° or 26°

• **Order data:**

Pos.	Operating voltage	Part no.
<b>Lumistrob LS 55-LED stainless steel</b>		
1	24 V AC/DC	3541.898.00
2	120-230 V AC	3541.899.00
<b>Lumistrob LS 55-LED aluminium (on request)</b>		
3	24 V AC/DC	3541.998.00
4	120-230 V AC	3541.999.00

e. g. Lumistar Lumistrob LS 55-LED, 24 V AC/DC, part no. 3541.898.00